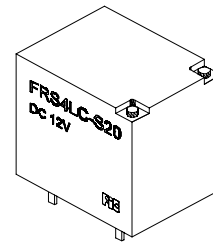




FEATURES

- Miniature light weight power relay
- Switching capacity up to 20A
- Sealed type is available.
- Insulation system class F is available.



VDE - Pending

SPECIFICATIONS

COIL RATING

RATED VOLTAGE (V DC)	COIL RESISTANCE Ω +/- 10 %	RATED CURRENT (mA)	MUST OPERATE VOLTAGE	MUST DROPOUT VOLTAGE	MAXIMUM VOLTAGE	POWER CONSUMPTION (W)
			% OF RATED VOLTAGE (At +20 °C)			
3	25	120	75 Max.	10 Min.	130 Max.	0.36 Approx.
5	69	73				
6	100	60				
9	225	40				
12	400	30				
24	1600	15				
48	6400	7.5				

CHARACTERISTICS

Contact Arrangement	SPST (1 Form A or 1 Form B), SPDT (1 Form C)
Contact Material	Silver Alloy
Contact Resistance	100m Ω Max. (Initial Value)
Contact Rating (Resistive Load)	NO : 20A 125VAC/28VDC 16A 277VAC/28VDC 1HP 125VAC/250VAC 10A 250VAC TV-8 NC : 20A 125VAC/28VDC 16A 277VAC/28VDC 1/2HP 125VAC/250VAC 10A 250VAC TV-8 VDE : 10A 250VAC/ 28VDC (Pending)
Switching Voltage	110V DC Max. 380V AC Max.
Operate Time (Initial)	15ms Max.
Release Time (Initial)	5ms Max.
Insulation Resistance	100M Ω Max. (500V DC)
Dielectric Strength	1000V AC (50Hz/min.) Between open contacts 4000V AC (50Hz/min.) Between coil and contact
Shock Resistance	10g Approx.
Vibration Resistance	10-55Hz, Double amplitude 1.5mm
Ambient Temperature	-40°C to +85°C
Operation Life	Mechanical : 10 ⁷ Electrical : 10 ⁵ (At rated load)
Weight	16g Approx.

[Specifications are subject to change without notices.]

FORWARD INDUSTRIAL COMPANY. (O/B COMMERCIAL UNION LTD)

RM. 1405, Wu Sang House, 655 Nathan Road, Mongkok, Kowloon, Hong Kong.

TEL : (852) 27892365 FAX : (852) 27893102 E-MAIL : sales@ficrelay.com.hk

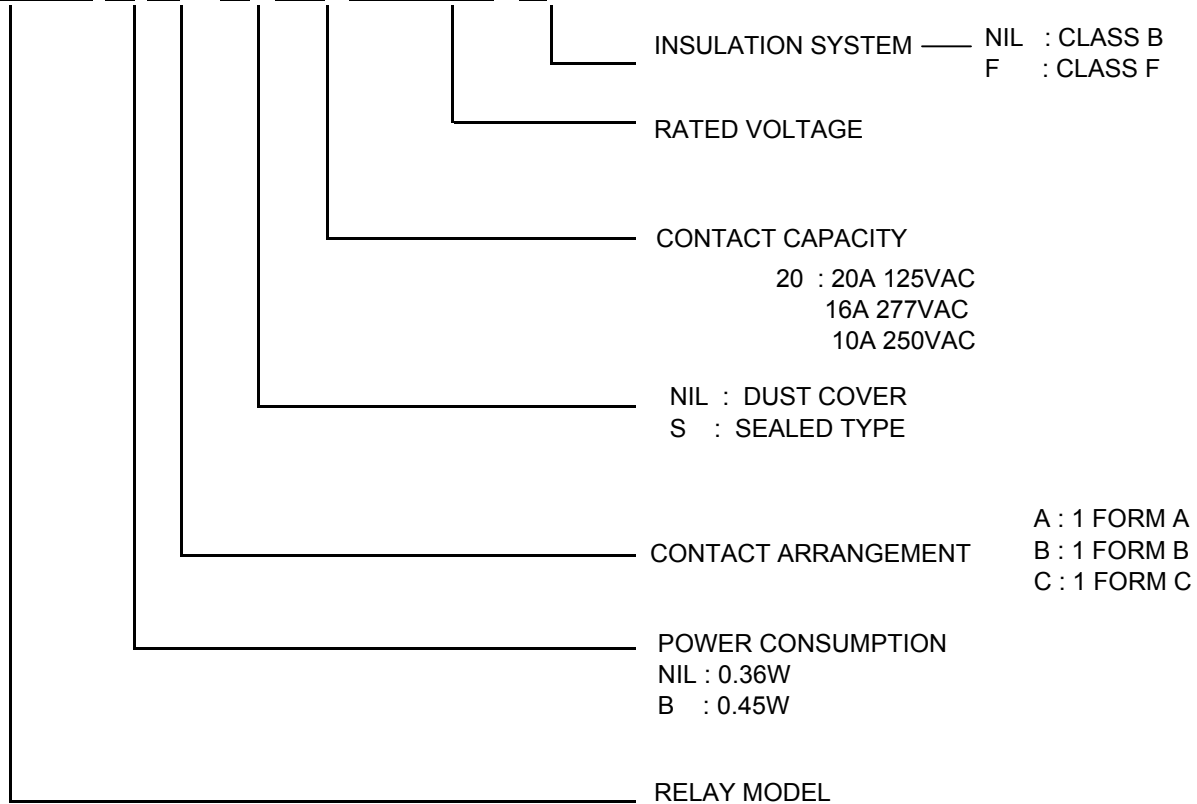
WEBSITE : <http://www.ficrelay.com.hk>

FRS4L RELAY



ORDERING INFORMATION

FRS4L B C - S 20 DC12V F



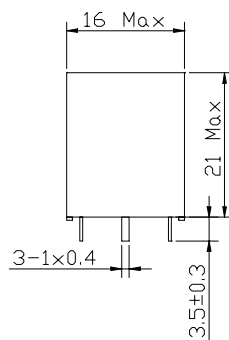
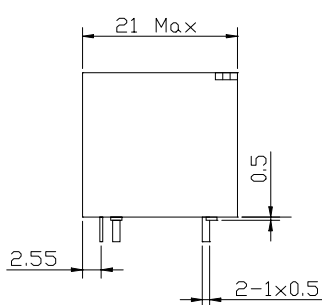
Note : Pb-Free and RoHS compliant relays are available.

For ordering, please add suffix "Pb-Free" or "RoHS" to standard relay part numbers.

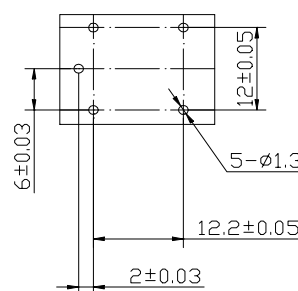
For example : FRS4LC-S20 DC 12V "Pb-Free" for Pb-Free Relay

For example : FRS4LC-S20 DC 12V "RoHS" for RoHS Compliant Relay

DIMENSIONS (UNIT:mm)



MOUNTING HOLES



TERMINAL ARRANGEMENT (BOTTOM VIEW)

